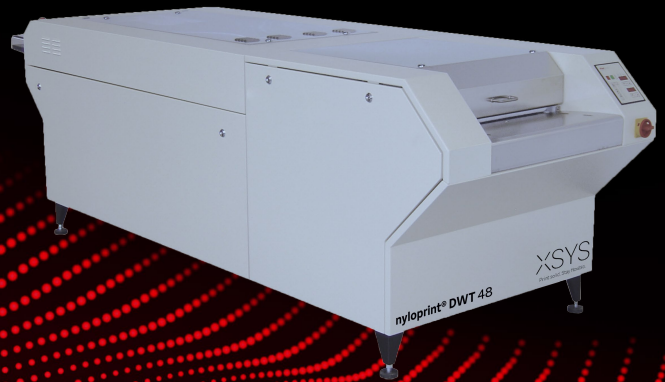


nyloprint® Flowline Washer DWT 48

Compact, tankless flowline system for washout, drying and post exposure



Mid-size flowline combination, suitable for processing water washable printing plates up to a maximum width of 480 mm (18.9")

High productivity and reliability due to superior construction

- + Flowline system with new design for processing water washable printing plates – washout, rinsing, drying and UV-A post exposure all made automatically in line
- + Less mechanical stress due to a proven “push” system that prevents washing away the fine elements
- + Water temperature indicator and flowspeed control
- + Direct water supply to reduce the contamination level in the washout section, thus reducing downtime due to maintenance cleaning
- + Automatic lowering of squeegee roller
- + Excellent quality offering a long service life

Simple operation and convenient handling

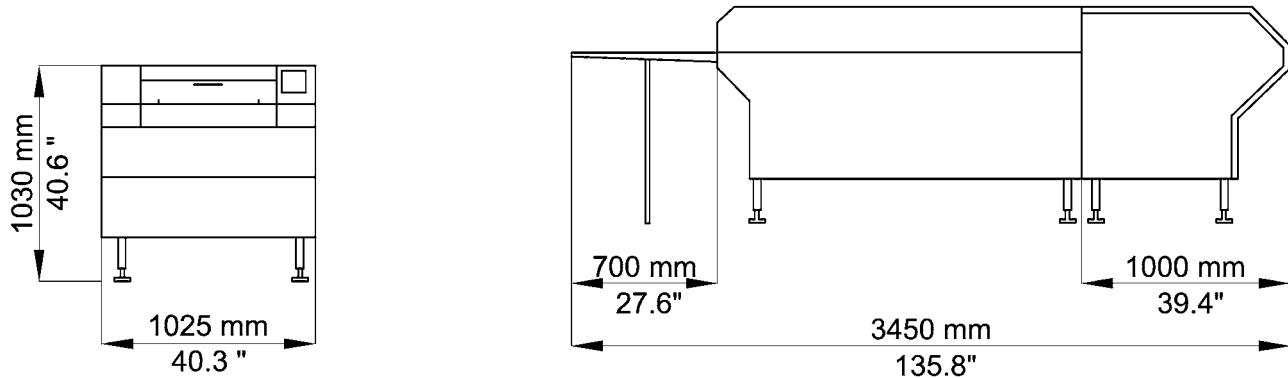
- + Simple operation due to a touch screen display
- + Single person operating system
- + Two easily adjustable push carriers
- + Runs quiet during operation

Further components

- + Includes an “adhesive” carrier plate for processing foil based plates and a “magnetic” carrier plate for steel based plates
- + Optional brushes and a soft squeegee roller available for special applications

nyloprint® Flowline Washer DWT 48

Equipment Dimensions



Technical data

nyloprint® Flowline Washer DWT 48

Maximum plate width	480 mm (18.9")
Electrical connection	400 V, 3 P/N/PE (Special voltage with sep. transformer)
Nominal current	10 A
Nominal power	5.0 kW
Fresh water connection	R ½", 2 - 4 bar (29 - 58 PSI)
Fresh water consumption	flow rate 0.3 m³/h (0.18 CFM) at 30°C (86°F)
Waste water connection	40 mm (1.6")
Compressed air connection	G ¼", 6 bar (87 PSI), approx. 200 l/min (7.1 CFM), waterfree
Exhaust air connection	Ø 50 mm (2")
Exhaust air flow rate	50 Nm³/h (30 CFM) (approx.)
Transport speed	40 - 350 mm/min (0.13 - 1.15 ft/min)
Tube type UV-A	40 W, TL 10R
Heating capacity of dryer	1 kW
Weight (approx.)	480 kg (1058 lbs) net 600 kg (1323 lbs) gross, transformer for special voltage: 170 kg (375 lbs)
Crate dimensions (W x D x H)	3050 mm x 1550 mm x 1500 mm (120.1" x 61.0" x 59.1") Transformer for special voltage: 880 x 680 x 890 mm (34.7" x 26.8" x 35.0")

Important remark on water supply:

A temperature controlled mixing tap is required if hot and cold water is available.
An electronically controlled flow heater is required if only cold water is available.

Please contact us for additional information.

info@xsyglobal.com • www.xsyglobal.com

The aim of our technical documents is to inform and advise our customers. The information provided herein is correct to the best of XSYS's knowledge. No liability for any errors, facts or opinions is accepted. Customers must satisfy themselves as to the suitability of this product for their application. No responsibility for any loss as a result of any person placing reliance on any material contained herein will be accepted. Product names followed by ® are trademarks registered by XSYS Germany GmbH and/or its affiliates.



XSYS

Print solid. Stay flexible.

04-2023