

nyloflex[®] Xpress Thermal

Processor F IV

New generation of thermal processing - a smart design for greater productivity with less downtime and lower operating costs



Reduced operating costs

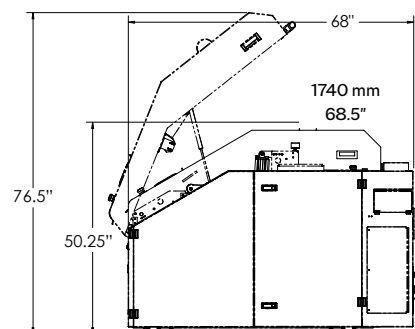
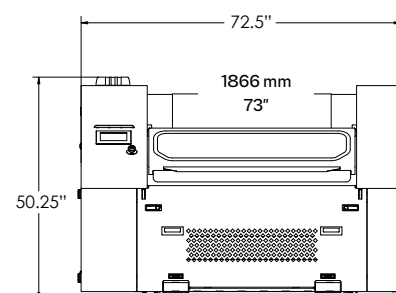
- + Lower your electricity consumption - **up to 88%** less than competitive thermal systems - with the unique, short wave IR preheating system, cleverly designed for precise control of heating depth; no chiller or vapour handling system is required
- + Zoned lamps ensure maximum energy efficiency
- + Easy access to all areas for service and maintenance

Excellent quality & improved productivity

- + Create high quality thermal plates, comparable to solvent quality, in only **45 minutes** from imaging to finishing
- + Step-by-step, **how-to animations** of all processing steps and maintenance as well as visual and audible indicators assist you in your platemaking
- + The clever design and technology incorporated keeps maintenance to an absolute minimum with normal **uptime of 99.7%** and remote diagnostics via Wi-Fi

Sustainability and health & safety

- + Near elimination of VOCs, low energy usage, and up to **30% less fabric** in our developer rolls will substantially contribute to your sustainability efforts



Technical data

nyloflex[®] Xpress Thermal Processor FIV

Art. XG50-XTP4-I101

Maximum plate size (W x L)	1067 mm x 1650 mm (42" x 65")
Minimum plate size (W x L)	254 mm x 254 mm 10" x 10"
Plate thickness	1.14 mm - 2.72 mm (0.045" - 0.107")
Electrical connection	230 V, 50/60 Hz (3 Ph/PE) - 43A
Electrical connection (alternate)	400 V, 50/60 Hz (3 Ph/N/PE) - 26A
Nominal power	9.2 kW
Compressed air	3/8" NPT, 6.9 bar, 2.0 m ³ /h (100 PSI, 1.2 SCFM)
Ethernet connection	RJ45
Exhaust air	Ø 6" (152.4 mm), min. 1019 m ³ /h (600 SCFM)
Ambient conditions	65° - 80°F (18°- 27°C)
Weight (uncrated)	1270 kg (2800 lbs)
Dimensions (W x H x L)	1855 mm x 1324 mm x 1740 mm (73" x 52.125" x 68.5")
Weight (crated)	1723 kg (3800 lbs)
Crate dimensions (W x H x L)	2057 mm x 1600 mm x 2057 mm (81" x 63" x 81")

Please contact us for additional information.

info@xsyglobal.com • www.xsyglobal.com

The aim of our technical documents is to inform and advise our customers. The information provided herein is correct to the best of XSYS's knowledge. No liability for any errors, facts or opinions is accepted. Customers must satisfy themselves as to the suitability of this product for their application. No responsibility for any loss as a result of any person placing reliance on any material contained herein will be accepted. Product names followed by ® are trademarks registered by XSYS Germany GmbH and/or its affiliates.



XSYS
Print solid. Stay flexible.

04 - 2023