

nyloflex® Digital Washer F III

Premium quality system for digital layer separation and highest productivity



Mid web format, suitable for processing high quality digital and conventional photopolymer plates up to a maximum size of 1020 mm x 1200 mm (40.2" x 47.0")

Excellent productivity due to digital layer separation and higher washout speed

- + Efficient digital layer separation with two separate solvent cycles reduces the contamination of the washer with the black layer to a minimum
- + Standby mode allows automated feed of the next plate
- + High process reliability due to programmed plate processing parameters for e.g. transport speed, brush height and solvent temperature
- + Temperature control of the washout solvent through a highly efficient heating/cooling device for a rapid warming and optimal operating temperature of the solvent
- + Brush height setting for optimum pressure according to plate thickness, resulting in less mechanical stress and less plate swelling
- + Integral reverse-side plate cleaning
- + Additional brushes increase the washout speed up to 45%
- + Closed continuous inline washout system, including inline washout, rinsing, after-cleaning and pre-drying

Ecologically friendly and economical due to efficient usage of solvent

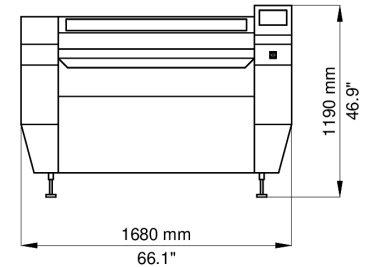
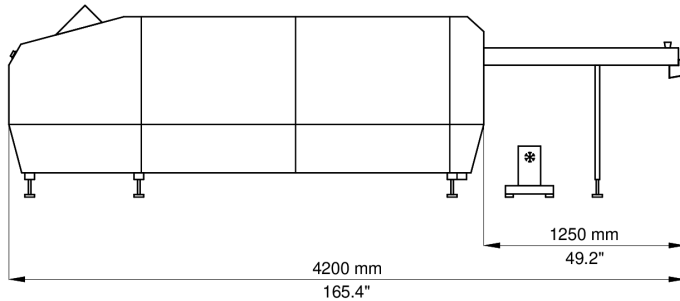
- + Integrated solid content measurement device to regulate the addition of fresh solvent
- + Detection of plate-length ensures minimum solvent and energy consumption
- + Intelligent exhaust system reduces emission rates

Easy and comfortable handling

- + Single person operation via touch screen
- + Transparent covers allow visual monitoring of the plate during processing
- + Easy plate input due to a pneumatic lowering device and automated pin bar detection
- + Excellent reliability and long service life
- + Low noise level during operation

nyloflex® Digital Washer FIII

Equipment Dimensions



Technical data

nyloflex® Digital Washer FIII

Maximum plate size (W x L)	1020 mm x 1200 mm (40.0" x 47.0")
Minimum plate size (W x L)	200 mm x 100 mm (7.9" x 3.9")
Electrical connection	230 V, 50/60 Hz (3 Ph/PE) / 400 V, 50/60 Hz (3 Ph/N/PE)
Nominal current	23 A / 19 A
Nominal power	7.0 kW
Exhaust air flow rate	min. 200 m ³ /h (118 CFM)
Compressed air for washer	male coupling, 7.2 mm, 6 bar (0.28", 87 PSI)
Compressed air for plate punch	male coupling, 7.2 mm, 7 bar, 200 l/min (0.28", 102 PSI, 7.1 CFM)
Fresh solvent connection	R ½"
Waste solvent connection	R ½"
Weight (approx.)	1250 kg (2756 lbs) net 2030 kg (4475 lbs) gross
Crate dimensions (W x D x H)	4700 mm x 2300 mm x 1580 mm (185.0" x 90.6" x 62.2")
Recommended ambient temp.	20 - 25 °C (68 - 77 °F)

Washout solvent

We recommend the environmentally friendly nylosolv® washout solvents. If other washout solvents are to be used, we advise to check its suitability with a Flint Group Flexographic Products technician before using it.

Please contact us for additional information.

info@xsyglobal.com • www.xsyglobal.com

The aim of our technical documents is to inform and advise our customers. The information provided herein is correct to the best of XSYS's knowledge. No liability for any errors, facts or opinions is accepted. Customers must satisfy themselves as to the suitability of this product for their application. No responsibility for any loss as a result of any person placing reliance on any material contained herein will be accepted. Product names followed by ® are trademarks registered by XSYS Germany GmbH and/or its affiliates.



XSYS 04-2023
Print solid. Stay flexible.