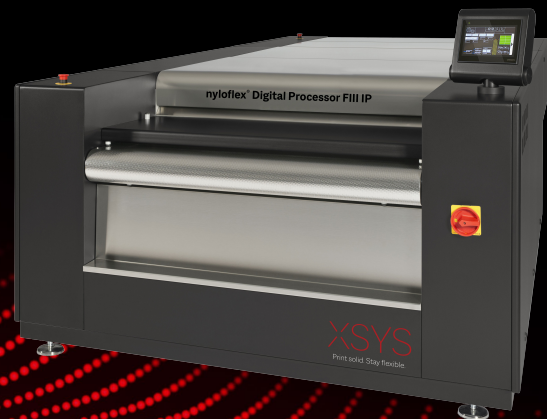


# nyloflex<sup>®</sup> Digital Processor FIII IP

Premium quality incremental processor with pre-wash section for digital layer separation



Mid web format, suitable for processing high quality digital and conventional photopolymer plates up to maximum 920 x 1200 mm (36" x 48")

## Digital layer separation and constant, repeatable washout speed

- + 3D brush motion system with servo driven motors automatically synchronizes the brush rotation and oscillation to the plate transfer speed, ensuring a constant and repeatable washout speed
- + Digital layer separation washout with separate pre-wash section to prevent contamination
- + Constant solvent temperature due to water circulation coil

## Process control and efficient solvent usage

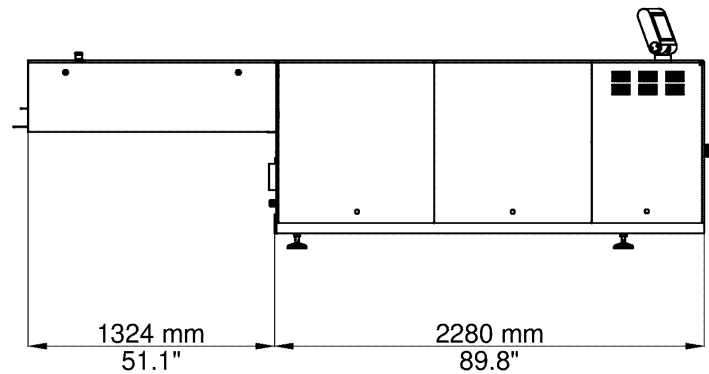
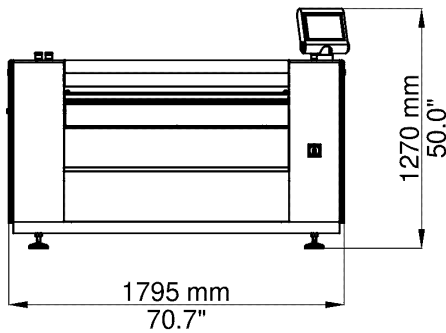
- + Fresh solvent consumption control over the machine life cycle and programmable over a time frame. Fresh solvent flow regulation option on the touch screen. Automatic solvent replenishment
- + Component visualization during the processing. Volumetric pump and sensitive pressure sensor allow a higher precision solid content analyzer

## Easy-to-use and comfortable handling

- + Programmable automatic solvent temperature control for optimal operating solvent temperature
- + Automatic standby after the last plate processed
- + Delivered with a stand-alone, external punching device

# nyloflex® Digital Processor FIII IP

## Equipment Dimensions



### Technical data

### nyloflex® Digital Processor FIII IP

Maximum plate size (W x L)	920 mm x 1200 mm (36" x 48")
Minimum plate size (W x L)	200 mm x 100 mm (7.9" x 3.9")
Plate thickness	0.7 mm - 7 mm (0.028" - 0.276")
Electrical connection	400 V, 50/60 Hz (3 Ph/N/PE) 230 V, 50/60 Hz (3 Ph/PE)
Nominal current	10 A / 18 A
Nominal power	6.5 kW
Exhaust air flow rate	140 mm Ø, 600 m³/h
Compressed air	6 mm Ø, min 7 bar (0.24", min 102 PSI)
Fresh solvent connection	16 mm Ø
Waste solvent connection	16 mm Ø
Weight (approx.)	1030 kg (2271 lbs) net 1350 kg (2996 lbs) gross
Crate dimensions (W x D x H)	3830 x 2000 x 1380 mm (150.8" x 78.7" x 54.3")
Recommended ambient temp.	20 - 25 °C (68 - 77 °F)

### Please contact us for additional information.

info@xsyglobal.com • www.xsyglobal.com

The aim of our technical documents is to inform and advise our customers. The information provided herein is correct to the best of XSYS's knowledge. No liability for any errors, facts or opinions is accepted. Customers must satisfy themselves as to the suitability of this product for their application. No responsibility for any loss as a result of any person placing reliance on any material contained herein will be accepted. Product names followed by ® are trademarks registered by XSYS Germany GmbH and/or its affiliates.



**XSYS** 04-2023  
Print solid. Stay flexible.