

# ThermoFlexX



## THE IMAGE OF AUTOMATION

The ThermoFlexX range offers the perfect imaging solution for the smallest to the very largest flexo and letterpress digital (LAMs) plates available.

**Be**  
brilliant

**XSYS**  
Print solid. Stay flexible.

# ThermoFlexX Solutions

## Exceed Industry Demands

### Highest Productivity

ThermoFlexX imagers are the fastest available. Ease of use, fast plate set-up, loading and unloading without taping maintains highest productivity.

### Innovative Automation

Larger ThermoFlexX imagers feature automatic loading and unloading for touch free operation, minimising the risk of plate damage. Catena-E LED exposure can be added for even higher levels of automation. Add Catena+ to TFxX 80 for full in-line plate making for astonishing productivity.

### Thick Plate Handling

TFxX 48, 60 & 80 are specially designed to automatically load thick plates quickly and easily. No taping is required to run plates at high production speeds.

### Open and Modular

Integrates seamlessly into your existing workflow. ThermoFlexX imagers accept 1-bit TIFF files from any workflow or RIP. LEN files can also be supported.

### Professional Quality

Industrial build quality guarantees a long life-time of high precision production.

### Choice of Plates

Our Open System approach allows customers to decide how they use their ThermoFlexX imagers.

### Latest Generation Support

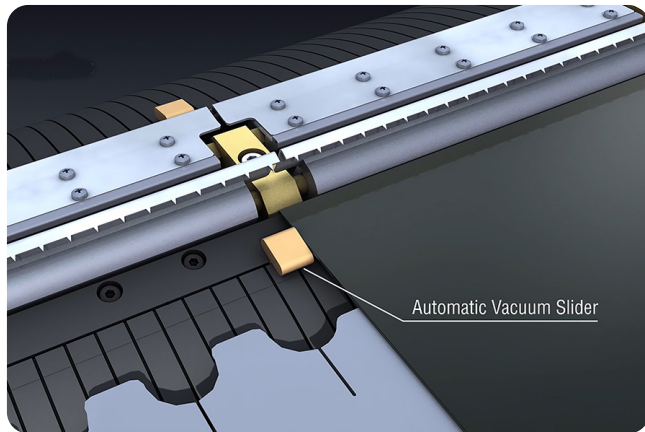
All ThermoFlexX systems feature the most advanced remote support technology available. Our Global Support teams help you quickly and efficiently.

### Experience

We have been a renowned innovator in the print industry for more than 50 years. We've also offered CtP solutions for Newspaper, Commercial and Screen-printing, building more than 7500 systems.

# High Quality Modular Open Solutions

## For Flexo & Letterpress Plates



Partial plate with unique vacuum slider concept

### Smart Technology

ThermoFlexX imagers are designed for smooth and productive operation.

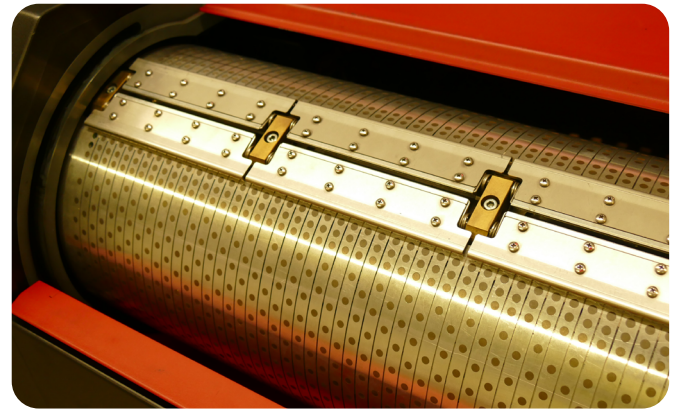
- + Advanced clamping systems provide straightforward easy plate mounting without plate damage.
- + The standard vacuum drum and optional hybrid vacuum/magnetic drum ensures plate positioning and optimum exposure of flexo and letterpress plates.
- + An integrated display enables fast, user friendly and reliable control of the imager.

### Unique Waste-Saving Features

No other digital imager offers the unique Vacuum Slider Concept (VSC). Any width of plate can be loaded quickly and easily without the need for taping. Full imaging speed is maintained with a full vacuum level making partial plates equally fast and accurate.

### Multiplate

Dedicated software, Multiplate, makes plate layout very straightforward. Different jobs of various resolutions or imaging methods, for example including a Woodpecker Surface Micro Structure, can be combined easily on the same plate.



Hybrid drum for Flexo and Steel back Letterpress plates

### Unique Resolution Flexibility

ThermoFlexX imagers offer the ultimate choice of resolutions. Any of the following resolutions can be provided: **2400, 2540, 4000, 4800** or **5080** dpi, with automatic "resolution switching" matching laser optics to file resolution. Higher resolution image handling, for example 10,160 dpi, is available for security print applications.

- + High resolution optics for the finest highest-frequency Surface Micro Structures
- + Smallest highlights, consistent dot shapes, cleaner mid-tones
- + Sharper text, fine lines barcodes and QR codes
- + Automatic resolution change 'on-the-fly' while imaging

### High Quality Imaging

Fiber lasers offer today's best technology for imaging digital LAMs plates. Superior depth-of-field laser beam focus performs imaging of the highest consistency. ThermoFlexX imagers are robustly designed and use heavy duty industrial components. Highest speeds are possible without fluctuations or vibration. ThermoFlexX imagers provide the most accurate and consistent imaging quality available.



Flexo plate with different jobs at different resolutions

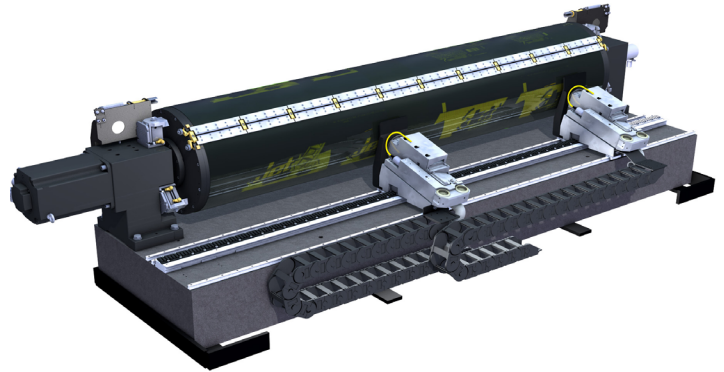
# TFxX 60 & TFxX 80

## Customer Driven Technology

### Grows With Your Business

Your ThermoFlexX imager productivity can increase in parallel to your capacity needs. Reduce initial investment purchasing only one laser head then add the second as your business expands. Not only does this typically double productivity, a valuable level of redundancy is also provided.

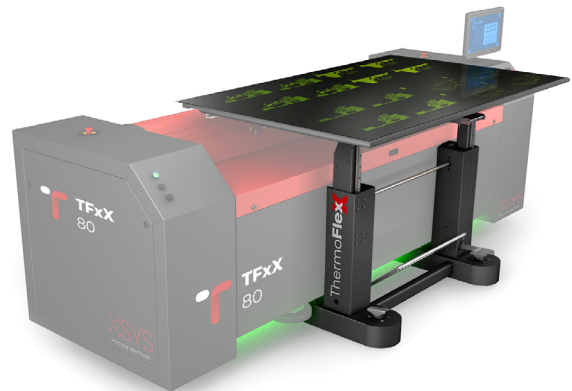
**Modular design with dual head on TFxX 60 & 80.**



### ThermoFlexX FlexTray

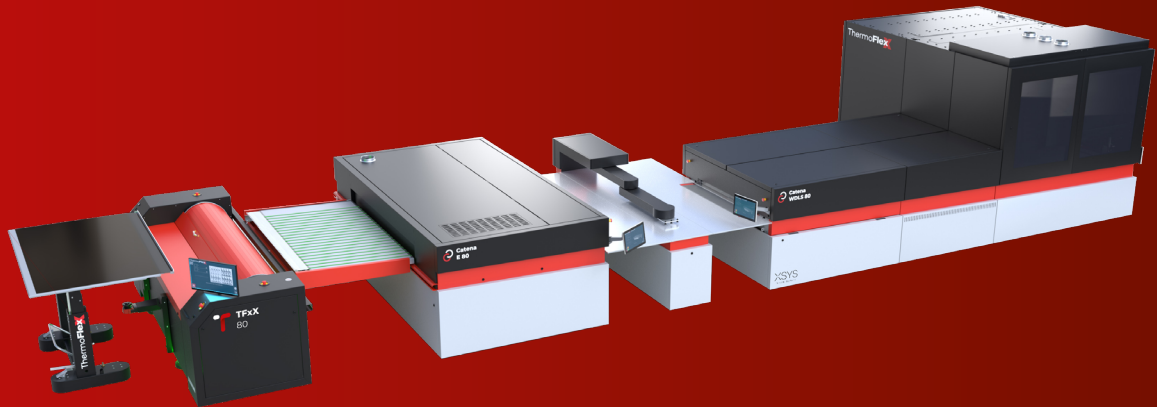
With its unequalled loading and unloading concept, the ThermoFlexX 60 and 80 offers efficient and problem free plate handling by using the FlexTray. FlexTray facilitates plate transport from the warehouse to the production area, easily aligning with any flexo equipment in the plate room. The FlexTray table can be tilted to simplify transport from one room to another. FlexTray can be adjusted in height in order to level with all exposure and processing equipment. As an integral part of the ThermoFlexX 60 and 80, the FlexTray smoothly locates into the imager by means of wheel-guides. ThermoFlexX 48 has an integral FlexTray to aid plate loading and unloading.

**FlexTray for seamless plate handling.**





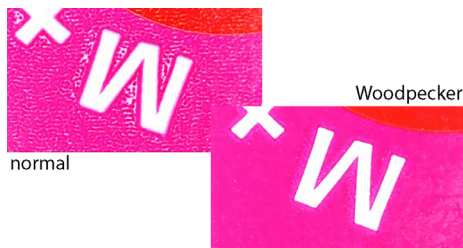
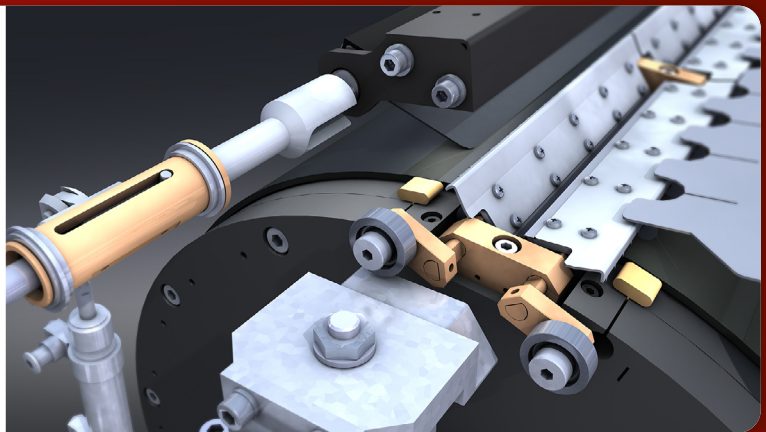
# Your ThermoFlexX imager can be your first step towards fully automated touch-free flexo plate making



## Optimized Plate Handling

Not only does ThermoFlexX offer fully automated plate loading and unloading for any thickness of plate, the imagers also offer a unique assistance for thicker plates, ensuring a problem-free operation.

### Thick Plate Assistance



### Woodpecker Surface Screens

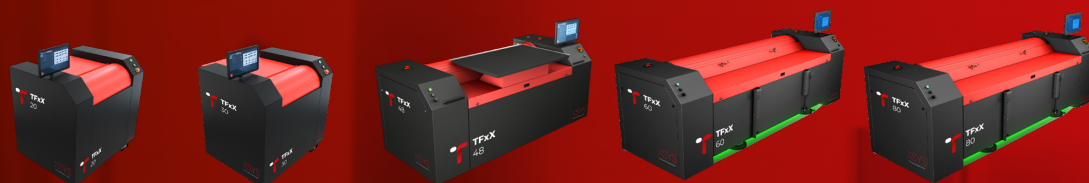
## Innovative Screening Technology

ThermoFlexX is compatible with all open screening technologies. ThermoFlexX provides easy integration with most workflows and RIPs. The best half-tone screens available including hybrid (AM/FM) are perfectly reproduced. Woodpecker Surface Screening increases solid ink density vastly improving the quality of print result.

# A Broad Range Of ThermoFlexX Digital Imagers

Whether you make plates for tags, labels, dry-offset (tubes, cups, cans, pots etc.), flexible packaging, folding carton or corrugated packaging, ThermoFlexX imagers can do it all. They offer the required combination of size and productivity for any narrow, mid, or wide web application. All standard configurations are clear and straight-forward with no surprises of “extra” options!

# TFXX



Technical Data	TFx 20	TFx 30	TFx 48	TFx 60	TFx 80
Maximum plate size (W x L) (mm) (inch)	635 x 508 mm 25" x 20"	635 x 762 mm 25" x 30"	900 x 1200 mm 35" x 48"	1067 x 1524 mm 42" x 60"	1270 x 2032 mm 50" x 80"
Applications	Tag & Label Folding Carton	Labels Folding Carton Dry-offset	Labels Folding Carton Flexible Packaging Dry-offset	Flexible Packaging Folding Carton	Flexible Packaging Folding Carton Corrugated Packaging
Standard Resolutions (dpi)	2400, 2540	2400, 2540	2400, 2540	2400, 2540	2400, 2540
Optional Resolutions (dpi)	4000, 4800, 5080	4000, 4800, 5080, 10.160	4000, 4800, 5080, 10.160	4000, 4800, 5080	4000, 4800, 5080
Productivity standard	up to 1sqm/hr	up to 1sqm/hr	up to 3 sqm/hr	up to 3 sqm/hr	up to 3 sqm/hr
optional	up to 2 sqm/hr	up to 2 or 3 sqm/hr	up to 6 sqm/hr	up to 6 or 12 sqm/hr	up to 6 or 12 sqm/hr
Plate Thickness	up to 3,94 mm (0.155")	up to 3,94 mm (0.155")	up to 7,00 mm (0.275")	up to 7,00 mm (0.275")	up to 7,00 mm (0.275")

**Be**  
brilliant.

“

Imaging nyloflex® FTH on our ThermoFlexX 80 dual head device allows us to more than double the imaging speed previously used. Without the need for a lamination step, it offers a quicker and more sustainable approach without the need for a one time use thermal imaging layer which ends up in landfill. The support and training we have received from XSYS over the years has been brilliant. We really can't ask for anything more. We chose them, because of their extensive product portfolio and product quality. Furthermore we have always felt backed up with excellent support.

- Gavin Lowes,  
Global Manufacturing Manager, Reproflex3



XSYS



Where **printing**  
meets **packaging.**



Where **expertise**  
meets **freedom.**

**Please contact us for additional information.**

[info@xsysglobal.com](mailto:info@xsysglobal.com) • [www.xsysglobal.com](http://www.xsysglobal.com)

The aim of our technical documents is to inform and advise our customers. The information provided herein is correct to the best of XSYS's knowledge. No liability for any errors, facts or opinions is accepted. Customers must satisfy themselves as to the suitability of this product for their application. No responsibility for any loss as a result of any person placing reliance on any material contained herein will be accepted. Product names followed by ® are trademarks registered by XSYS Germany GmbH and/or its affiliates.



**XSYS**

Print solid. Stay flexible.